

# tineco

## PWRHERO™ XL

### Cordless Upright Vacuum

Instruction Manual

Manual De Uso

Mode D'emploi



\*Actual product may differ from illustration.

**TINECO IS HERE TO HELP.**

We'll get back to you within 1 business day.



[www.tineco.com](http://www.tineco.com)



**1-855-292-8864**

Mon. - Fri. 9am - 6pm (CST)



# CONTENTS

Important Safety Instructions.....	2
Overview.....	5
Assembly.....	6
Operation.....	8
Maintenance.....	9
Specifications.....	11
Troubleshooting.....	12
Warranty.....	13

**TINECO IS HERE TO HELP.**

We'll get back to you within 1 business day.

 [www.tineco.com](http://www.tineco.com)



**1-855-292-8864**

Mon. - Fri. 9am - 6pm (CST)

# Important Safety Instructions

## SAVE THESE INSTRUCTIONS

### Household use only.

When using an electrical appliance, basic precautions should always be followed, including the following:

READ ALL INSTRUCTIONS BEFORE USING (THIS APPLIANCE). Failure to follow the warnings and instructions may result in electric shock, fire and/or serious injury.

### **WARNING** – To reduce the risk of fire, electric shock, or injury:

1. This appliance can be used by children aged from 8 years and above and persons with reduced physical, sensory or mental capabilities or lack of experience and knowledge if they have been given supervision or instruction concerning use of the appliance in a safe way and understand the hazards involved. Children should not play with the appliance. Cleaning and user maintenance shall not be performed by children without supervision.
2. The appliance is not to be used by persons (including children) with reduced physical, sensory or mental capabilities, or lack of experience and knowledge, unless they have been given supervision or instruction.
3. For **INDOOR** use **ONLY**. Do not use the appliance outdoors, nor in commercial or industrial environments. Do not use the appliance on wet surfaces or surfaces with standing water.
4. Do not allow to be used as a toy. Close attention is necessary when used by or near children, pets or plants.
5. Use only as described in this manual. Use only manufacturer's recommended attachments.
6. Do not use with a damaged cord or plug. If appliance has been dropped, damaged, left outdoors, dropped into water, or is not working as it should, return it to a service center.
7. Do not handle charger, including charger plug, and charger terminals with wet hands.
8. Do not put any object into openings. Do not use with any openings blocked; keep free of dust, lint, hair, and anything that may reduce air flow.
9. Keep hair, loose clothing, fingers, and all parts of your body away from openings and moving parts.
10. Use extra care when cleaning on stairs.
11. Do not use to pick up flammable or combustible liquids, such as gasoline, or use in areas where they may be present.
12. Do not pick up anything that is burning or smoking, such as cigarettes, matches, or hot ashes.
13. Do not use without a filter.
14. Prevent unintentional activation. Ensure the switch is in the off position before connecting to the battery pack, picking up or carrying the appliance. Carrying the appliance with your finger on the switch or powering on the appliance with the switch on may cause accidents.



15. Disconnect the battery pack from the appliance before making any adjustments, changing accessories, storing the appliance. Such preventive safety measures reduce the risk of starting the appliance accidentally.
16. For the purposes of recharging the battery, only use the detachable supply unit provided with this appliance. A charger that is suitable for one type of battery pack may create a risk of fire when used with another battery pack.
17. Use appliances only with specifically designated Tineco battery packs. Use of any other battery packs may create a risk of injury and fire.
18. When battery pack is not in use, keep it away from other metal objects, like paper clips, coins, keys, nails, screws or other small metal objects, that can make a connection from one terminal to another. Shorting the battery terminals together may cause burns or a fire.
19. Under improper usage, liquid may be ejected from the battery; avoid contact. If contact accidentally occurs, flush with water. If liquid comes into eye contact, seek medical help. Liquid ejected from the battery may cause irritation or burns.
20. Do not use a battery pack or appliance that is damaged or modified. Damaged or modified batteries may exhibit unpredictable behavior resulting in fire, explosion or risk of injury.
21. Do not expose a battery pack or appliance to fire or excessive heat. Exposure to fire or temperatures above 266°F (130°C) may cause an explosion.
22. Follow all charging instructions and do not charge the battery pack or appliance outside of the temperature range specified in the instructions. Charging improperly or at temperatures outside of the specified range may damage the battery and increase the risk of fire.
23. Have servicing performed by a qualified repair person using only identical replacement parts. This will ensure that the safety of the product is maintained.
24. This appliance contains battery cells that are non-replaceable. Do not modify or attempt to repair the appliance or the battery pack except as indicated in the instructions for use and care.
25. Always turn off this appliance before connecting or disconnecting the motorized nozzle.
26. Do not charge or store the appliance outdoors or inside a car. Only charge, store or use the battery in a dry indoor area where the temperature is higher than 39.2°F (4°C) but lower than 104°F (40°C). The charger is for indoor use only.

### Tineco/PWRHERO XL

This appliance complies with part 15 of the FCC Rules. Operation is subject to the following two conditions:

(1) This appliance may not cause harmful interference, and (2) this appliance must accept any interference received, including interference that may cause undesired operation.

Tineco INTELLIGENT, INC.

1700 WESTLAKE AVENUE N., SUITE 200, SEATTLE, WA, 98109, USA

WWW.TINECO.COM

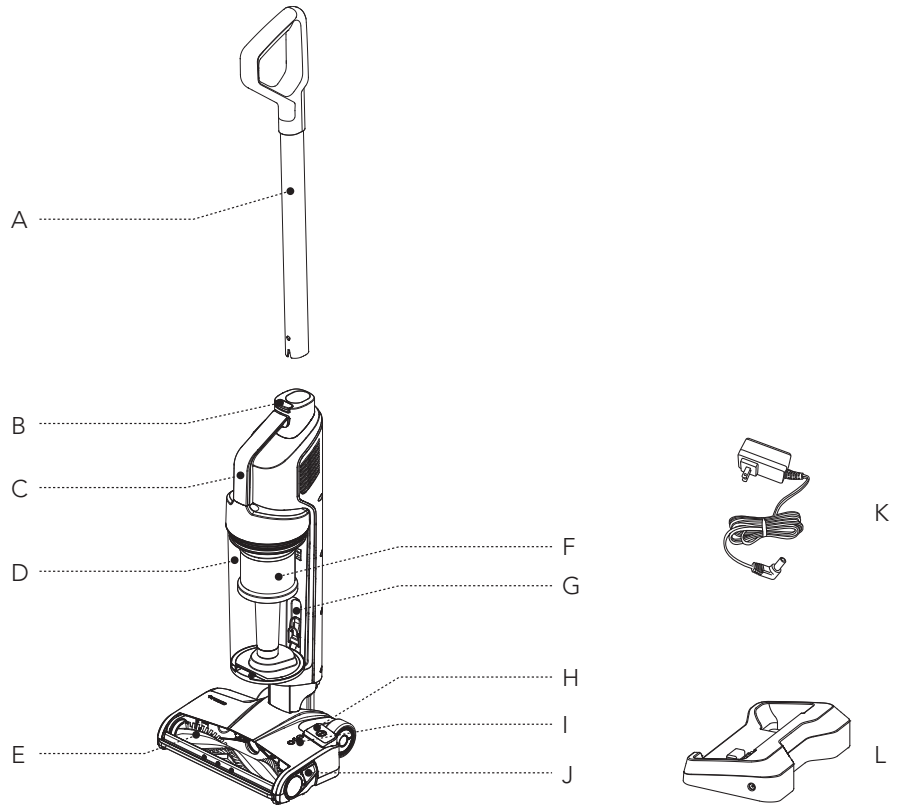
1-855-292-8864

**CAUTION:** Changes or modifications not expressly approved by the party responsible for compliance could void the user's authority to operate the equipment.

Note: This equipment has been tested and found to comply with the limits for a Class B digital appliance, pursuant to Part 15 of the FCC Rules. These limits are designed to provide reasonable protection against harmful interference in a residential installation. This equipment generates uses and can radiate radio frequency energy and, if not installed and used in accordance with the instructions, may cause harmful interference to radio communications. However, there is no guarantee that interference will not occur in a particular installation. If this equipment does cause harmful interference to radio or television reception, which can be determined by turning the equipment off and on, the user is encouraged to try to correct the interference by one or more of the following measures:

- (1) Reorient or relocate the receiving antenna.
- (2) Increase the separation between the equipment and receiver.
- (3) Connect the equipment into an outlet on a circuit different from that to which the receiver is connected.
- (4) Consult the dealer or an experienced radio/TV technician for help.

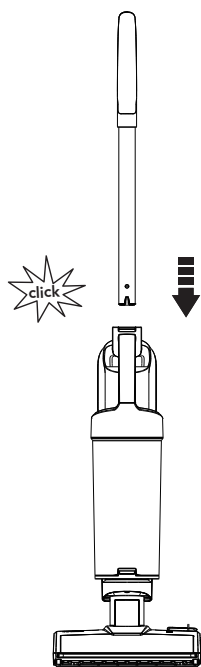
# Overview



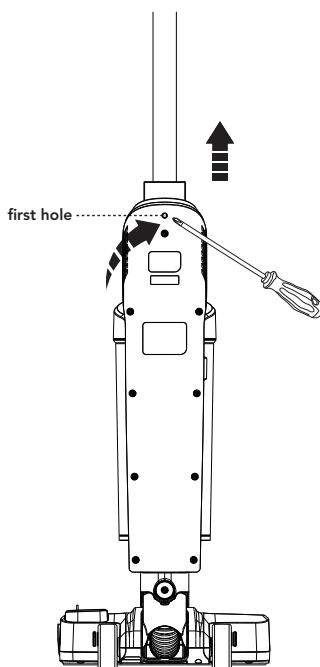
- A. Handle
- B. Dustbin Release Button
- C. Dustbin Handle
- D. Dustbin
- E. Brush Roller
- F. Sponge and Mesh Filter
- G. Dust Empty Release Button
- H. Power Button/Mode Switch
- I. Indicator Light
- J. Brush Roller Lock
- K. Adaptor
- L. Charging Base

# Assembly

## How to Assemble/Disassemble



To assemble the handle, insert it into the appliance until you hear a click.

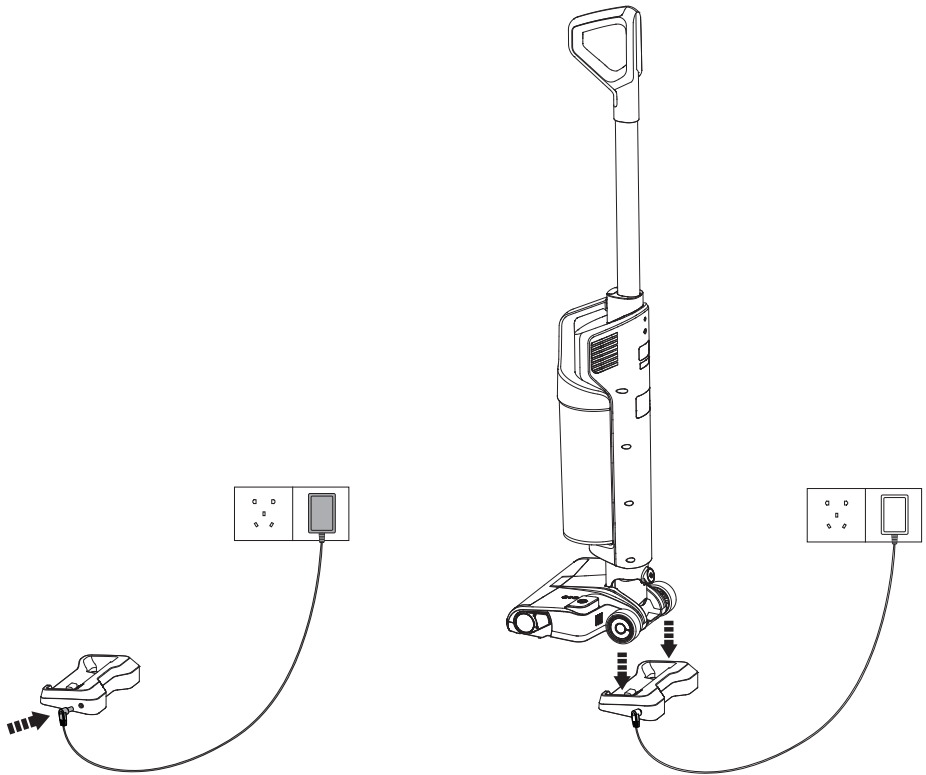


In the event that the product must be returned, please disassemble the handle. Press the spring to release the handle with a tool (like a screwdriver) and lift the released handle from the appliance.

# Charging Instruction

## Charging Time

- A full charge takes approximately 4-5 hours.
- Estimated data was obtained by a Tineco Laboratory using ambient temperatures between 39.2°F (4°C) to 104°F (40°C).



Connect the external charging cord to the charging base and plug it into the wall outlet.

Place vacuum on the charger base.

### **Warning:**

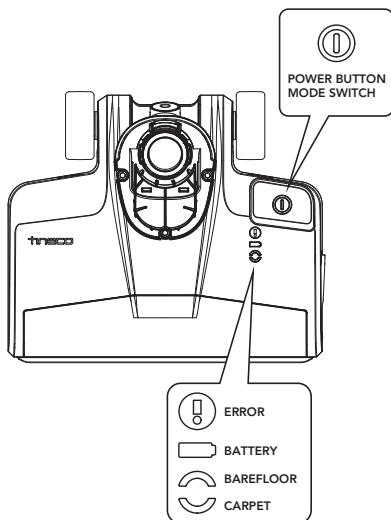
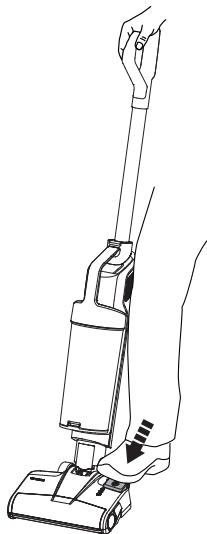
- Only use the Tineco-provided adapter to charge the battery.
- During long periods of not being used, store the lithium battery in a cool, dry place. Ensure the battery is fully charged every 3 months.
- Store appropriately indoors in a dry place. Do not expose appliance to sunlight or freezing temperature. Recommended temperature range: 39.2°F (4°C)~104°F (40°C).

# Operation

## Preparing for Use

### Note:

- Before the first use, please charge the vacuum for 4-5 hours in an area where the ambient temperature is between 39.2°F (4°C) and 104°F (40°C).



Place foot on floor nozzle and tilt handle back to begin cleaning.

1. Press the power button once to turn on the barefloor setting, the brush roller will spin slowly to vacuum up litters on bare floors.
2. Press the power button a second time to turn on the carpet setting, the brush roller will spin quickly in this mode to get deep carpet cleaning.
3. Press the power button a third time to turn off the vacuum.

## Indicator



### ERROR

Check troubleshooting if blinking or light.



### BATTERY

- Blinking blue light: no power.
- Breathing blue light: in charging.
- Solid blue light in 3 minutes: full charging, then light off.



### BAREFLOOR Mode.



### CARPET Mode.

## Runtime

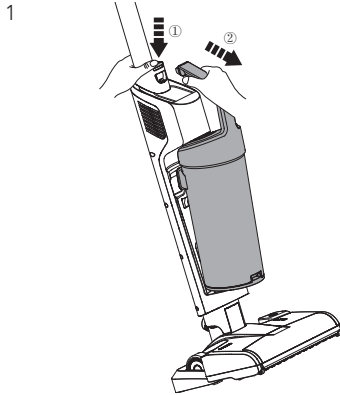
- When in BAREFLOOR mode, the runtime is 30 minutes. When in CARPET mode, the runtime is 10 minutes.
- Estimated runtime data was obtained by Tineco Laboratory.

# Maintenance

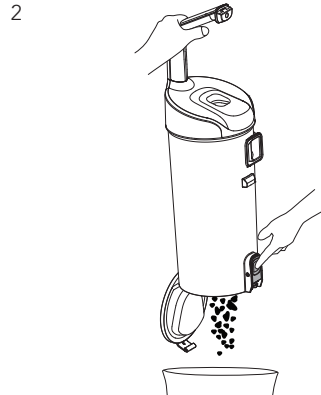
## Note:

- Clean the dustbin and filters after each use.
- To maintain high performance, wash and dry the mesh filter monthly, replace the sponge filter every 3 months.

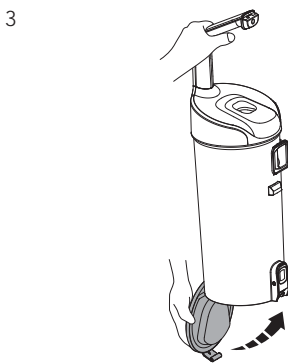
## Dustbin



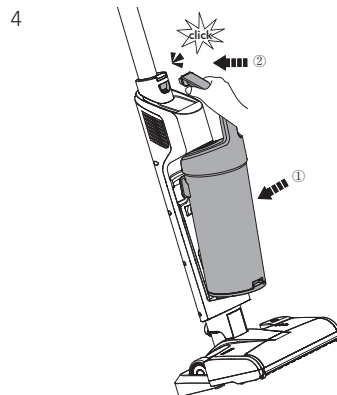
Press down on the dustbin release button and lift dustbin out.



Press the release button on the side of the dustbin to empty the contents.

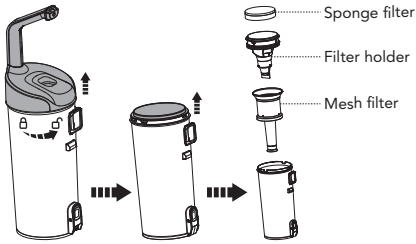


Close and click the dustbin flap back into place.

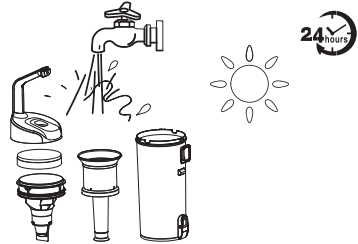


Replace the dustbin by aligning the bottom first and then locking it into place.

## Sponge and Mesh Filter

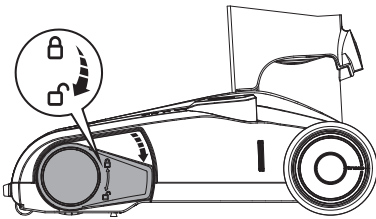


Turn counter-clockwise to remove the dustbin lid, take out the sponge and mesh filter.

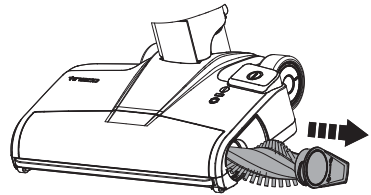


Clean the dust on the sponge and mesh filter, wash them under cold, running water if necessary. Air dry completely before reinstalling.

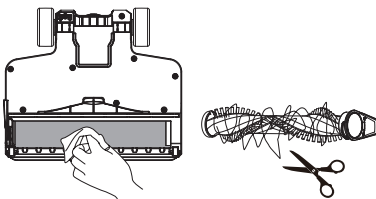
## Brush Roller



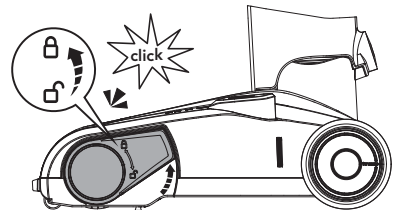
Push and turn the brush roller lock counterclockwise to release the brush roller.



Pull the brush roller out of the nozzle with the pull tab.




Remove the debris wrapped around the roller with a cleaning tool.




Reinstall the brush roller into the nozzle and turn clockwise to lock.



# Specifications



Product	PWRHERO XL
Voltage	21.6V 
Rated Power	250W
Dustbin Capacity	1.5L
Charging Time	4-5 hrs
AC Input	100-240V~

## Disposal

- The battery contains materials that are harmful to the environment and must be removed from the appliance before it is discarded.
- When removing the battery, the appliance must be powered off.
- Batteries, chargers, accessories and packaging should be sorted for environmental friendly recycling. Do not put them into fire, water or soil. Do not dispose of batteries and chargers into household waste! 
- If battery leakage contacts skin or clothing, immediately flush with water to avoid irritation and seek medical help.

# Troubleshooting

EN

Problem	Possible cause	Solution
The appliance does not turn on	No power	Charge the battery
	The appliance is blocked (i.e. the brush roller, suction mouth or some other parts)	Remove blockages
	The main body is in the upright position	Pull back handle to recline and press the power button
Weak suction power	Dustbin is full	Clean the dustbin
	The appliance is blocked (i.e. the brush roller, suction mouth or some other parts)	Remove blockages
Abnormal motor sounds	The appliance is blocked (i.e. the brush roller, suction mouth or some other parts)	Remove blockages
Battery won't charge	The adaptor is not correctly inserted	Reinsert the adaptor correctly
	The adaptor is not designed for this appliance	Use the original adaptor
Blinking red light 	The appliance is blocked (i.e. the brush roller, suction mouth or some other parts)	Remove blockages
Solid red light 	Overvoltage or overcurrent	Unplug and before recharging

## Note:

If the above troubleshooting guide fails to provide a solution, please visit our website [www.tineco.com](http://www.tineco.com) for further support.

# Warranty

## 2-YEAR LIMITED WARRANTY

- Only applies to purchases made from authorized retailers of Tineco.
- Is subject to the adherence of the requirements outlined in this instruction manual, and is subject to further conditions outlined below.

## WHAT IS COVERED?

- Your Tineco appliance has a 2-year warranty against original defects in material and workmanship, when used for private household purposes in accordance with the Tineco Instruction Manual. Motorized accessories and battery bought separately come with a 1-year warranty.
- This warranty provides, at no extra cost to you, all labor and parts necessary to ensure your appliance is in proper operating condition during the warranty period.
- This warranty will only be valid if the appliance is used in the country in which it was sold.

## WHAT IS NOT COVERED?

Tineco shall not be liable for costs, damages or repairs incurred as a result of:

- Appliances purchased from an unauthorized dealer.
- Careless operation or handling, misuse, abuse and/or lack of maintenance or use not in accordance with the Tineco Instruction Manual.
- Use of the appliance other than for normal domestic purposes, e.g. for commercial or rental purposes.
- Use of parts not in accordance with the Tineco Instruction Manual.
- Use of parts and accessories other than those produced or recommended by Tineco.
- External factors unrelated to product quality and use, such as weather, modifications, accidents, electrical outages, power surges or acts of God.
- Repairs or alterations carried out by unauthorized parties or agents.
- Failing to clear blockage and other hazardous material from the appliance.
- Normal wear and tear, including normal wearing parts, such as clear bin, belt, filter, HEPA, brush bar, and power cord (or where external damage or abuse is diagnosed), carpet or floor damage due to use not in accordance with manufacturer's instructions or failure to turn the brush bar off when necessary.
- Reduction in battery discharge time due to battery age or use.

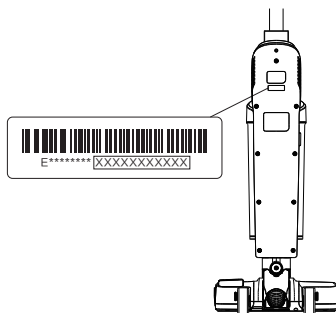
## WARRANTY LIMITATIONS

- Any implied warranties relating to your appliance including but not limited to warranty of merchantability or warranty of fitness for a particular purpose, are limited to the duration of this warranty.
- Warranty coverage applies to the original owner and to the original battery only and is not transferable.
- This limited warranty gives you specific legal rights. You may also have other rights which vary by region.
- Manufacturer's warranties may not apply in all cases, depending on factors such as use of the product, where the product was purchased, or who you purchased the product from. Please review the warranty carefully, and contact the manufacturer if you have any questions.

## WARRANTY SERVICE

**Register:** We highly recommend that upon purchase, you register your appliance on the Tineco official website ([www.tineco.com](http://www.tineco.com)) and enjoy exclusive benefits. To register, please enter the last 11 digits of the serial number (found on the back of the appliance).

Failure to register your product won't diminish your warranty rights.



**How to Claim:** Please retain your proof of purchase. To make a claim under our Limited Warranty, you need to provide your serial number and the original purchase receipt with the purchase date and order number on it.

All work will be carried out by Tineco or an authorized agent.

Any replaced defective parts will become the property of Tineco.

Service under this warranty will not extend the period of this warranty.

Contact our Customer Service  
Hotline: **1-855-292-8864**  
or Visit Tineco website  
**[www.tineco.com](http://www.tineco.com)**  
for expert customer service.

# CONTENIDO

Medidas importantes de seguridad .....	16
Descripción general .....	19
Montaje .....	20
Funcionamiento .....	22
Mantenimiento .....	23
Especificaciones.....	25
Resolución de problemas .....	26
Garantía .....	27

**TINECO ESTÁ AQUÍ PARA AYUDAR.**

Nos pondremos en contacto con usted dentro de 1 día laboral.



[www.tineco.com](http://www.tineco.com)



**1-855-292-8864**  
Lun-Vie 9:00-18:00 (CST)

# Medidas importantes de seguridad

## CONSERVE ESTAS INSTRUCCIONES

### Solo para uso doméstico.

Al usar aparatos eléctricos, se debe seguir siempre una serie de medidas básicas de seguridad, entre ellas las que se indican a continuación.

LEA TODAS LAS INSTRUCCIONES ANTES DE USAR ESTE APARATO. De no seguir todas las advertencias e instrucciones, se podrían producir descargas eléctricas, incendios o lesiones personales graves.

**ADVERTENCIA** – Para disminuir el riesgo de incendios, descargas eléctricas o lesiones:

1. Este aparato puede ser utilizado por niños a partir de 8 años y personas con discapacidades físicas, sensoriales o mentales, o con falta de experiencia y conocimientos, si están supervisados o han recibido instrucciones sobre el uso del aparato de modo seguro y comprenden los peligros que dicho uso acarrea. Los niños no deben jugar con el aparato. La limpieza y mantenimiento a cargo del usuario no deben ser realizados por niños sin supervisión.
2. El aparato no debe ser utilizado por personas (niños incluidos) con discapacidades físicas, sensoriales o mentales, o con falta de experiencia y conocimientos, a menos que lo hagan bajo supervisión o se les haya dado instrucciones.
3. SOLO para uso en INTERIORES. No use el aparato en el exterior, ni en entornos comerciales o industriales. No use el aparato sobre superficies húmedas o que tengan agua.
4. No permita que se utilice el aparato como un juguete. Es necesario vigilar atentamente el aparato cuando lo usen niños o se utilice cerca de niños, mascotas o plantas.
5. Use el aparato solo como se indica en este manual. Use solo accesorios recomendados por el fabricante.
6. No use el aparato si el cable o el enchufe están dañados. Si el aparato se ha caído o dañado, se ha dejado a la intemperie, ha caído al agua o no funciona como debiera, llévelo a un centro de servicio.
7. No manipule el cargador, incluido el enchufe del cargador, ni los terminales del cargador con las manos mojadas.
8. No introduzca ningún objeto en las aberturas. No use el aparato si alguna de sus aberturas está obstruida. Manténgalo sin polvo, fibras, pelo y cualquier elemento que pudiera reducir el flujo de aire.
9. Mantenga el pelo, la ropa holgada, los dedos y todas las partes del cuerpo alejados de las aberturas y partes móviles.
10. Tenga mucho cuidado al limpiar escaleras.
11. No aspire líquidos inflamables o combustibles, tales como gasolina, ni lo use en lugares donde pudieran estar presentes.
12. No aspire nada que se esté quemando o humeando como, por ejemplo, cigarrillos, cerillas o cenizas.
13. No use el aparato sin el filtro.

14. Evite puestas en marcha accidentales. Verifique que el interruptor está en posición de apagado antes de conectar la batería, tomar el aparato o desplazarlo. Llevar el aparato con el dedo en el interruptor o activar el aparato con el interruptor en posición de encendido puede originar accidentes.
15. Desconecte la batería del aparato antes de realizar ajustes, cambiar accesorios o almacenarlo. Tales medidas preventivas disminuyen el riesgo de poner el aparato en funcionamiento por accidente.
16. Para cargar la batería, use únicamente la unidad de suministro extraíble incluida con este aparato. Un cargador apto para un tipo de batería podría presentar un riesgo de incendio si se usa con otra batería.
17. Use los aparatos solo con las baterías Tineco especialmente indicadas para ellos. El uso de cualquier otro tipo de batería puede presentar riesgos de incendio y lesiones personales.
18. Cuando no esté usando la batería, manténgala alejada de objetos metálicos, tales como clips, monedas, llaves, clavos, tornillos y otros objetos metálicos pequeños que pudieran conectar un terminal con el otro. Cortocircuitar los terminales de la batería puede causar quemaduras o un incendio.
19. Si se hace un uso inadecuado de la batería, el líquido de su interior podría salirse. Evite el contacto con ese líquido. Si hubiera un contacto accidental, lávese con agua abundante. Si el líquido entra en contacto con los ojos, solicite ayuda médica. El líquido que sale de la batería puede causar irritación o quemaduras.
20. No use la batería ni el aparato si estuvieran dañados o modificados. Las baterías dañadas o modificadas pueden presentar comportamientos impredecibles y causar un incendio, explosión o riesgo de lesiones personales.
21. No exponga la batería ni el aparato al fuego o al calor excesivo. Su exposición al fuego o a temperaturas superiores a 130 °C puede causar una explosión.
22. Siga todas las instrucciones de carga y no cargue la batería ni el aparato a temperaturas fuera del rango especificado en las instrucciones. Una carga incorrecta o a una temperatura fuera del rango especificado puede dañar la batería y aumentar el riesgo de que se produzca un incendio.
23. Las reparaciones deben ser realizadas por personal cualificado que utilice únicamente piezas de repuesto idénticas a las originales. Esto garantizará que la seguridad del producto se mantenga.
24. Este aparato contiene células de batería no reemplazables. No modifique ni trate de reparar el aparato ni la batería, a excepción de lo indicado en las instrucciones para su uso y cuidados.
25. Apague siempre el aparato antes de conectar o desconectar la boquilla motorizada.
26. No cargue ni guarde el aparato a la intemperie ni dentro de un vehículo. Cargue, guarde o use la batería únicamente en interiores secos donde la temperatura sea superior a 4 °C, pero inferior a 40 °C. El cargador solo es apto para usarse en interiores.

## Tineco/PWRHERO XL

Este dispositivo cumple las disposiciones de la sección 15 de la normativa de la FCC. Su funcionamiento está sujeto a las dos condiciones siguientes:

(1) el dispositivo no puede causar interferencias perjudiciales; y (2) el dispositivo debe aceptar cualquier interferencia recibida, incluidas las que puedan dar lugar a un funcionamiento no deseado.

Tineco INTELLIGENT, INC.

1700 WESTLAKE AVENUE N., SUITE 200, SEATTLE, WA, 98109, EE. UU.

WWW.TINECO.COM

1-855-292-8864

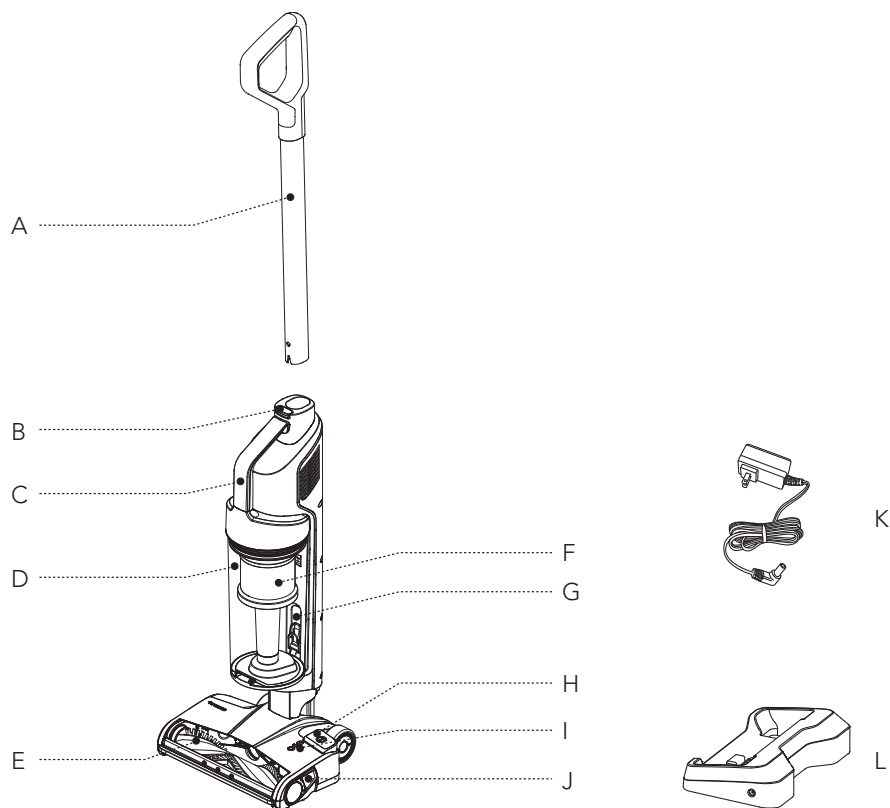
**PRECAUCIÓN:** Los cambios o modificaciones no aprobados expresamente por la parte responsable del cumplimiento pueden anular la autoridad del usuario para utilizar el equipo.

Nota: Este equipo se ha sometido a pruebas y se ha determinado que cumple los límites establecidos para los dispositivos digitales de clase B de acuerdo con las disposiciones de la sección 15 de la normativa de la FCC. Estos límites están diseñados para proporcionar una protección razonable contra interferencias perjudiciales en una instalación residencial. Este equipo genera, utiliza y puede irradiar energía de radiofrecuencia, por lo que si no se instala y se usa como se indica en estas instrucciones, podría producir interferencias perjudiciales en las comunicaciones por radio. Sin embargo, no se puede garantizar que no se produzcan interferencias en una instalación en particular. Si este equipo causa interferencias perjudiciales en la recepción de señales de radio o televisión (que se pueden detectar apagando y encendiendo el dispositivo), recomendamos al usuario que intente corregir dichas interferencias siguiendo una o varias de las siguientes soluciones:

- (1) Cambie la orientación o la ubicación de la antena receptora.
- (2) Aumente la distancia entre el equipo y el receptor.
- (3) Conecte el equipo a una toma de corriente de un circuito diferente al que esté conectado el receptor.
- (4) Consulte al vendedor o a un técnico experto en radio y televisión para obtener ayuda.



# Descripción general



A. Asa

B. Botón de liberación del depósito de polvo

C. Asa del depósito de polvo

D. Depósito de polvo

E. Cepillo de rodillo

F. Esponja y filtro de malla

G. Botón de liberación de vaciado del polvo

H. Botón de encendido/cambio de modo

I. Luz indicadora

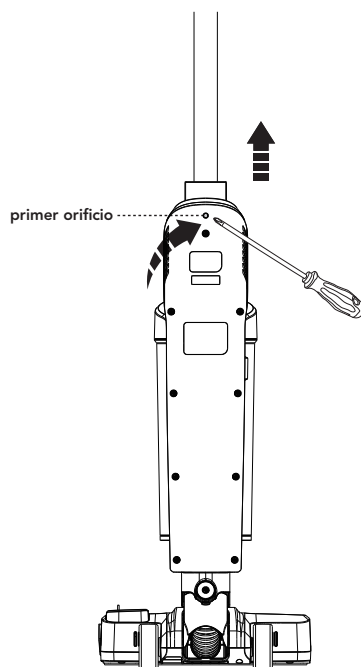
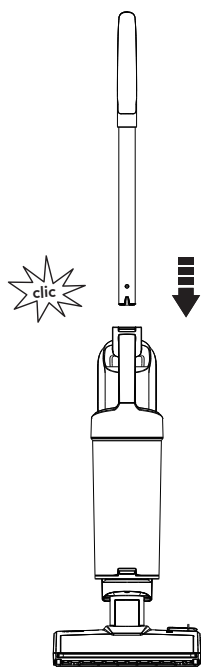
J. Bloqueo del cepillo de rodillo

K. Adaptador

L. Base de carga

# Montaje

## Montaje/desmontaje



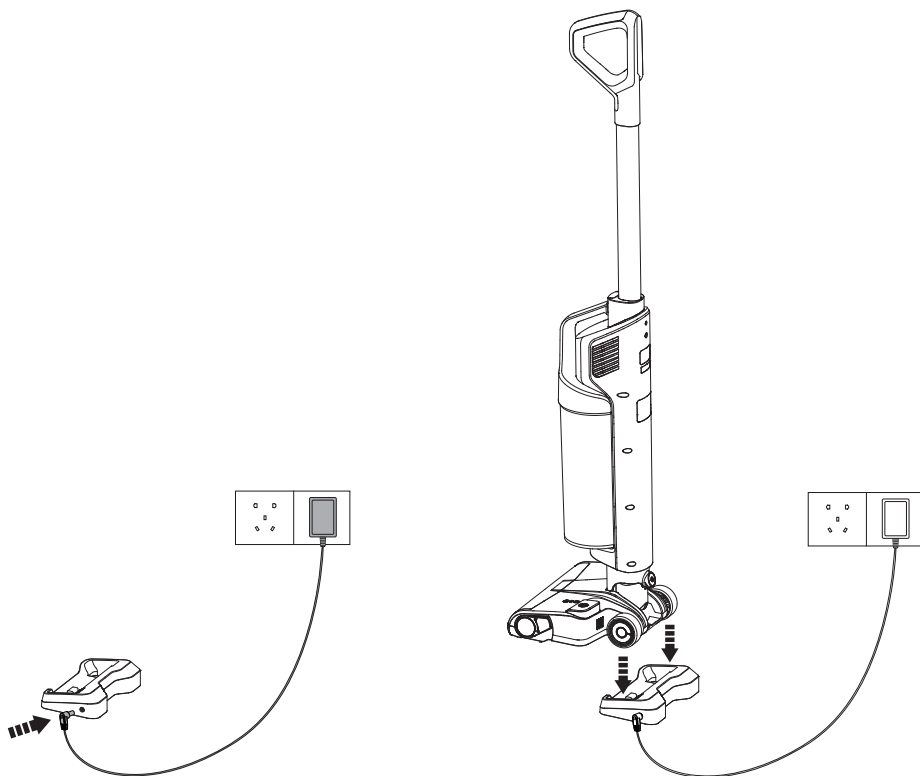
Para montar el asa, insértela en el aparato hasta que oiga un chasquido.

En caso de que sea necesario devolver el producto, desmonte la asa. Presione el resorte para liberar el asa con una herramienta (por ejemplo, un destornillador) y separe el asa del aparato una vez liberada.

# Instrucciones de carga

## Tiempo de carga

- Una carga completa tarda unas 4-5 horas.
- Los datos estimados se han obtenido en un laboratorio Tineco con temperaturas ambiente de entre 4 °C y 40 °C.



Conecte el cable de carga externo a la base de carga y enchúfelo a la toma de corriente.

Coloque la aspiradora en la base de carga.

## Advertencia:

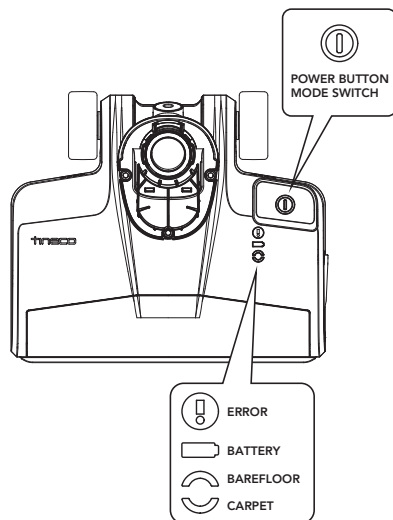
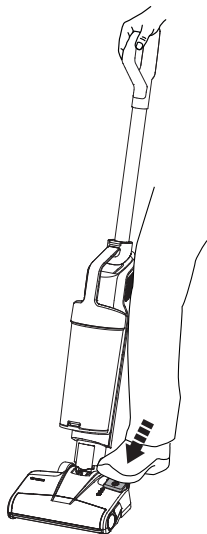
- Utilice solo el adaptador proporcionado por Tineco para cargar la batería.
- Si no se utiliza durante un periodo prolongado, almacene la batería de litio en un lugar fresco y seco. Asegúrese de que la batería esté completamente cargada cada 3 meses.
- Guárdela en lugar seco en interiores. No exponga el aparato a la luz directa del sol ni a temperaturas por debajo de cero grados. Rango de temperaturas recomendado: entre 4 °C y 40 °C.

# Funcionamiento

## Preparación para el uso

### Nota:

- Antes del primer uso, cargue la aspiradora durante 4-5 horas en un área donde la temperatura ambiente sea de entre 4 °C y 40 °C.



Coloque el pie en la boquilla de suelo e incline el asa para empezar a limpiar.

1. Pulse dos veces el botón de encendido para activar el ajuste de suelo descubierto, el cepillo de rodillo girará lentamente para aspirar los restos que haya sobre el suelo.
2. Pulse una segunda vez el botón de encendido para activar el ajuste de alfombra, el cepillo de rodillo girará rápidamente para realizar una limpieza de alfombra a fondo.
3. Pulse por tercera vez el botón de encendido para activar la aspiradora.

## Indicador



### ERROR

Consulte la resolución de problemas si parpadea o está iluminado.



### BATERÍA

- Luz azul parpadeante: no tiene suministro eléctrico.
- Luz azul con efecto respiración: cargando.
- Luz azul fija durante 3 minutos: carga completa, y después se apaga.



Modo SUELO DESCUBIERTO.



Modo ALFOMBRA.

## Tiempo de funcionamiento

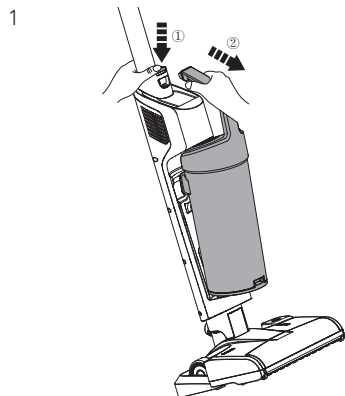
- En el modo SUELO DESCUBIERTO, el tiempo de funcionamiento es de 30 minutos. En el modo ALFOMBRA, el tiempo de funcionamiento es de 10 minutos.
- Los datos de tiempo de funcionamiento estimados se han obtenido en un laboratorio Tineco.

# Mantenimiento

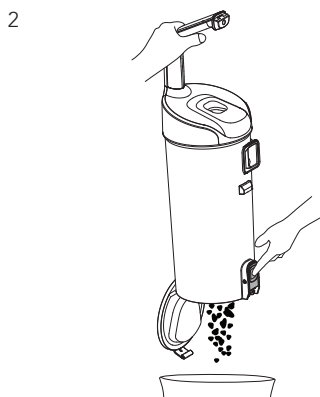
## Nota:

- Limpie el depósito de polvo y los filtros después de cada uso.
- Para mantener un rendimiento elevado, lave y seque el filtro de malla cada mes, y sustituya el filtro de esponja cada 3 meses.

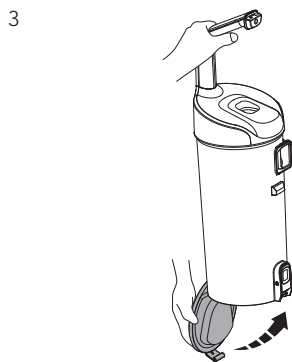
## Depósito de polvo



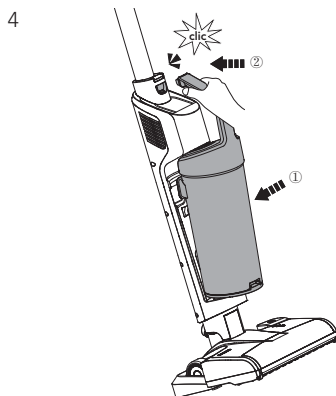
Presione el botón de liberación del depósito de polvo y levante el depósito para sacarlo.



Presione el botón de liberación ubicado en el lateral del depósito de polvo y vacíe el contenido.

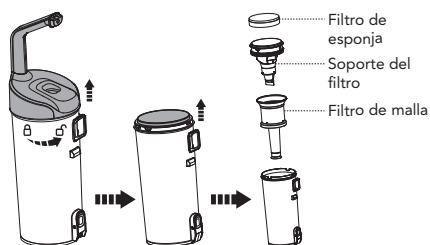


Cierre hasta que haga clic la tapa del depósito de polvo para volver a colocarla.

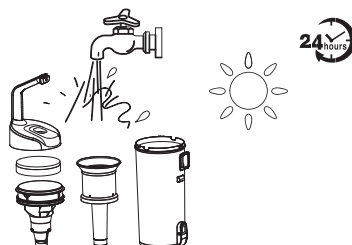


Vuelva a colocar el depósito de polvo alineando primero el fondo y fijándolo en su lugar.

## Esponja y filtro de malla



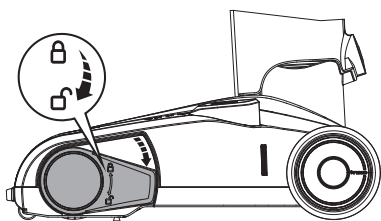
Gire en dirección antihoraria para retirar la tapa del depósito de polvo, saque la esponja y el filtro de malla.



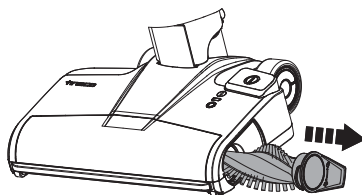
Limpie el polvo de la esponja y el filtro de malla, y lávelos con agua corriente fría si fuera necesario. Déjelo secar completamente al aire antes de volver a instalarlo.

ES

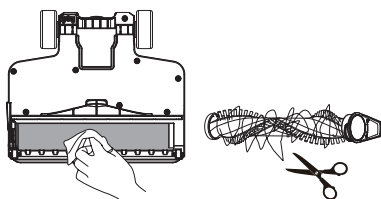
## Cepillo de rodillo



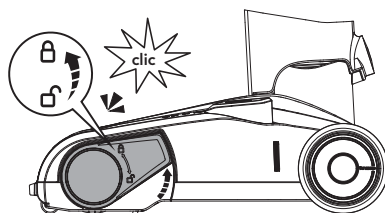
Pulse y gire el bloque del cepillo de rodillo en sentido antihorario para liberar el cepillo de rodillo.



Saque el cepillo de rodillo de la boquilla con la lengüeta.



Elimine los restos enrollados alrededor del rodillo con una herramienta de limpieza.




Vuelva a instalar el cepillo de rodillo en la boquilla y gire en sentido horario para bloquearlo.



# Especificaciones

Producto	PWRHERO XL
Tensión	21,6 V $\equiv$
Potencia nominal	250 W
Capacidad del depósito de polvo	1,5 l
Tiempo de carga	4-5 h
Entrada CA	100-240 V $\sim$

## Eliminación

- La batería contiene materiales dañinos para el medio ambiente y deben retirarse del aparato antes de desecharlo.
- Al retirar la batería, el aparato debe estar apagado.
- Las baterías, los cargadores, los accesorios y el embalaje deben clasificarse para reciclarlos de un modo respetuoso con el medio ambiente. No los arroje al fuego, al agua ni los entierre. No deseche las baterías ni los cargadores junto con la basura doméstica. 
- Si la batería presenta fugas y el líquido entra en contacto con la piel o la ropa, enjuáguelos inmediatamente con agua para evitar irritaciones y consulte con un médico.

# Resolución de problemas

Problema	Posible causa	Solución
El aparato no se enciende	No tiene suministro eléctrico	Cargue la batería
	El aparato está obstruido (es decir, el cepillo de rodillo, la boca de succión o cualquier otra pieza)	Retire las obstrucciones
	El cuerpo principal está en posición vertical	Estire del asa para reclinarla y pulse el botón de encendido
Potencia de succión débil	El depósito de polvo está lleno	Limpiar papelera
	El aparato está obstruido (es decir, el cepillo de rodillo, la boca de succión o cualquier otra pieza)	Retire las obstrucciones
Sonidos anómalos del motor	El aparato está obstruido (es decir, el cepillo de rodillo, la boca de succión o cualquier otra pieza)	Retire las obstrucciones
La batería no se carga	El adaptador no está correctamente insertado	Vuelva a insertar el adaptador correctamente
	El adaptador no está diseñado para el aparato	Use el adaptador original
Luz roja parpadeante 	El aparato está obstruido (es decir, el cepillo de rodillo, la boca de succión o cualquier otra pieza)	Retire las obstrucciones
Luz roja fija 	Sobretensión o sobrecorriente	Desenchufe antes de volver a cargarlo

## Nota:

Si la guía de resolución de problemas no incluye una solución, visite nuestro sitio web [www.tineco.com](http://www.tineco.com) para recibir más ayuda.



# Garantía

## GARANTÍA LIMITADA DE 2 AÑOS

- Solo se aplica a las compras realizadas a minoristas autorizados de Tineco.
- Está sujeta al cumplimiento de los requisitos descritos en este manual de instrucciones y otras condiciones descritas a continuación.

## ¿CUÁL ES LA COBERTURA?

- El aparato Tineco tiene una garantía de 2 años contra defectos originales en materiales y mano de obra, cuando se usa para fines domésticos privados de acuerdo con el manual de instrucciones de Tineco. Los accesorios motorizados y la batería comprados por separado tienen una garantía de 1 año.
- Esta garantía proporciona, sin coste adicional, toda la mano de obra y las piezas necesarias para garantizar que el aparato se encuentre en buenas condiciones de funcionamiento durante el período de garantía.
- Esta garantía solo será válida si el aparato se utiliza en el país donde se vendió.

## ¿QUÉ QUEDA FUERA DE LA COBERTURA?

Tineco no será responsable de los costes, daños o reparaciones incurridos como resultado de:

- Aparatos adquiridos en un distribuidor no autorizado.
- Mala manipulación o manipulación descuidada, mal uso, abuso o falta de mantenimiento, así como usos no conformes con el manual de instrucciones de Tineco.
- Uso del aparato para otros fines que no sean fines domésticos normales, por ejemplo, para fines comerciales o de alquiler.
- Uso de piezas no conformes con el manual de instrucciones de Tineco.
- Uso de piezas y accesorios distintos a los producidos o recomendados por Tineco.
- Factores externos no relacionados con la calidad y el uso del producto, como el clima, modificaciones, accidentes, apagones, picos de tensión o causas naturales.
- Reparaciones o alteraciones realizadas por personas o agentes no autorizados.
- No realizar la retirada de obstrucciones y otros materiales peligrosos del aparato.
- Desgaste normal, incluidas las piezas de desgaste normal, como el recipiente transparente, la correa, el filtro, el filtro HEPA, la barra de cepillo y el cable de alimentación (o por daños o abusos externos identificados), daños en las alfombras o en el suelo por uso indebido o no conforme con las instrucciones del fabricante.
- Reducción del tiempo de descarga de la batería debido a su uso o antigüedad.

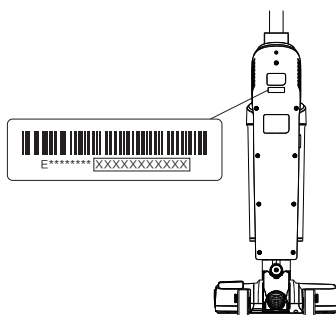
## LIMITACIONES DE GARANTÍA

- Cualquier garantía implícita relacionada con el aparato, incluidas, entre otras, la garantía de comerciabilidad o la garantía de adecuación para un propósito particular, se limita a la duración de esta garantía.
- La cobertura de la garantía se aplica únicamente al propietario original y a la batería original; no es transferible.
- Esta garantía limitada le otorga derechos legales específicos. También puede tener otros derechos que varían según la región.
- Es posible que las garantías del fabricante no se apliquen en todos los casos, dependiendo de factores como el uso del producto, el lugar donde se compró el producto o a quién se compró. Revise la garantía cuidadosamente y contacte con el fabricante si tiene alguna pregunta.

## GARANTÍA Y SERVICIO

**Registro:** Le recomendamos encarecidamente que registre el aparato en el sitio web oficial de Tineco ([www.tineco.com](http://www.tineco.com)) y disfrute de beneficios exclusivos. Para registrarlo, introduzca los últimos 11 dígitos del número de serie (se encuentra en la parte posterior del aparato).

No registrar el aparato no implica pérdida de derechos de garantía.



**Cómo hacer una reclamación:** Conserve el recibo de compra. Para realizar una reclamación bajo su garantía limitada, debe enviar el número de serie y el recibo original de compra con la fecha de compra y el número de pedido.

Todo trabajo será responsabilidad de Tineco o de algún agente autorizado.

Cualquier pieza defectuosa reemplazada pasará a ser propiedad de Tineco.

El servicio bajo esta garantía no extenderá el período de esta garantía.

Póngase en contacto con nuestra línea de atención al cliente: **1-855-292-8864** o visite la página web de Tineco **[www.tineco.com](http://www.tineco.com)** para recibir ayuda experta.

# SOMMAIRE

Consignes de sécurité importantes .....	30
Description .....	33
Assemblage .....	34
Fonctionnement .....	36
Entretien .....	37
Spécifications .....	39
Guide de dépannage .....	40
Garantie .....	41

**TINECO EST LÀ POUR VOUS AIDER.**

Nous vous répondrons dans 1 jour ouvrable.



[www.tineco.com](http://www.tineco.com)



**1-855-292-8864**

Lu. - Ve. 9 h à 18 h (CST)

# Consignes de sécurité importantes

## CONSERVEZ CES INSTRUCTIONS

### Usage domestique exclusivement.

Lorsque vous utilisez un appareil électrique, veuillez respecter les précautions de sécurité élémentaires, notamment celles indiquées ci-dessous :

LISEZ TOUTES LES INSTRUCTIONS AVANT L'UTILISATION (DE CET APPAREIL). Le non-respect des consignes de sécurité et des instructions peut provoquer une décharge électrique, un incendie et/ou des blessures graves.

**AVERTISSEMENT** – Afin de réduire le risque d'incendie, de choc électrique ou de blessures corporelles :

1. Cet appareil peut être utilisé par des enfants à partir de 8 ans et par des personnes dont les capacités physiques, sensorielles ou mentales sont réduites, ou des personnes dénuées d'expérience ou de connaissance, si elles ont pu bénéficier, par l'intermédiaire d'une personne responsable de leur sécurité, d'une surveillance ou d'instructions préalables concernant l'utilisation de l'appareil. Les enfants ne doivent pas jouer avec cet appareil. Le nettoyage et l'entretien ne doivent pas être effectués par des enfants sans surveillance.
2. Cet appareil n'est pas destiné à être utilisé par des personnes (y compris les enfants) ayant des capacités physiques, sensorielles ou mentales limitées, ou manquant d'expérience et/ou de connaissances, sauf si elles sont surveillées ou ont reçu des instructions.
3. Cet appareil est conçu pour un usage en INTÉRIEUR UNIQUEMENT. N'utilisez pas cet appareil en plein air ni dans un environnement commercial ou industriel. N'utilisez pas l'appareil sur une surface mouillée ou sur laquelle de l'eau stagne.
4. Cet appareil ne doit pas servir de jouet. Une attention particulière est nécessaire lorsque l'aspirateur est utilisé près d'enfants, d'animaux domestiques ou de plantes.
5. Utilisez l'appareil uniquement de la manière décrite dans ce manuel. Utilisez exclusivement les accessoires recommandés par le constructeur.
6. N'utilisez pas l'appareil si son câble d'alimentation ou sa prise est endommagé. Si l'appareil est tombé, est endommagé, a été laissé à l'extérieur ou en contact avec de l'eau ou ne fonctionne pas correctement, retournez-le à un centre d'entretien.
7. Ne manipulez pas le chargeur, y compris la prise et/ou les bornes du chargeur, les mains mouillées.
8. N'insérez aucun objet dans les ouvertures. N'utilisez pas l'appareil si l'une des ouvertures est obstruée. Veillez à éviter l'accumulation dans les ouvertures de tout ce qui pourrait diminuer le flux d'air (poussières, peluches, poils, etc.).
9. Gardez les cheveux, les vêtements amples, les doigts et autres parties du corps éloignés des ouvertures et des pièces en mouvement.
10. Soyez particulièrement vigilant(e) en passant l'aspirateur dans les escaliers.
11. N'utilisez pas cet appareil pour aspirer des liquides combustibles ou inflammables, comme de l'essence, et ne passez pas l'aspirateur dans une pièce où se trouvent de tels liquides.

12. Ne passez en aucun cas l'aspirateur sur des objets brûlants ou incandescents, comme des cigarettes, des allumettes ou des cendres chaudes.
13. Ne faites pas fonctionner cet appareil sans le filtre.
14. Évitez la mise en marche accidentelle. Vérifiez que l'interrupteur marche/arrêt est en position d'arrêt avant d'insérer la batterie, de saisir l'appareil ou de le porter. Transporter l'appareil tout en posant un doigt sur l'interrupteur ou le brancher alors que l'interrupteur est en position de marche favorise les accidents.
15. Déconnectez la batterie de l'appareil avant d'effectuer un réglage, de changer un accessoire ou de ranger l'appareil. Ces mesures de sécurité permettent de réduire les risques de démarrage accidentel de l'appareil.
16. Pour recharger la batterie, utilisez uniquement l'unité d'alimentation détachable fournie avec cet appareil. Un chargeur adapté à un seul type de batterie peut présenter un risque d'incendie s'il est utilisé avec une batterie différente.
17. Utilisez cet appareil uniquement avec des batteries Tineco spécialement conçues pour cet usage. L'utilisation de toute autre batterie peut créer un risque de blessures et d'incendie.
18. Lorsque la batterie n'est pas utilisée, elle doit être rangée loin de tout objet métallique, tel que trombone, pièce de monnaie, clef, clou, vis et tout autre petit objet métallique qui risquerait de mettre en contact ses bornes. Court-circuiter les bornes de la batterie peut provoquer des brûlures ou un incendie.
19. En cas de mauvaise utilisation, du liquide peut s'en échapper. Évitez tout contact avec ce liquide. En cas de contact accidentel, rincez à grande eau. Si du liquide entre en contact avec les yeux, consultez un médecin. Le liquide qui s'échappe de la batterie peut provoquer des irritations ou des brûlures.
20. N'utilisez pas l'appareil si la batterie ou l'appareil lui-même est endommagé ou modifié. Les batteries modifiées ou endommagées peuvent produire un fonctionnement imprévisible pouvant provoquer un incendie, une explosion ou un risque de blessure.
21. N'exposez pas la batterie ou l'appareil au feu ou à une chaleur excessive. L'exposition au feu ou à des températures supérieures à 130 °C peut provoquer une explosion.
22. Respectez toutes les instructions de recharge. Ne rechargez pas la batterie ou l'appareil quand la température ambiante est hors de la plage spécifiée dans les instructions. Une recharge incorrecte ou recharger une batterie sous des températures hors de la plage spécifiée peut endommager la batterie et accroître le risque d'incendie.
23. Faites réparer votre appareil par un réparateur qualifié qui ne devra utiliser que des pièces de rechange identiques. Cela garantira une utilisation sûre de l'appareil.
24. Cet appareil contient des éléments de batterie non remplaçables. Ne modifiez pas et n'essayez pas de réparer l'appareil ou la batterie sans suivre les instructions d'utilisation et d'entretien.
25. Éteignez toujours cet appareil avant de brancher ou de débrancher l'embout motorisé.
26. Ne rechargez et ne rangez pas l'appareil en plein air ou à l'intérieur d'une voiture. Chargez, stockez ou utilisez la batterie uniquement dans une zone intérieure sèche où la température est supérieure à 4 °C, mais inférieure à 40 °C. Le chargeur est conçu exclusivement pour une utilisation en intérieur.

## Tineco/PWRHERO XL

Cet appareil est conforme à la section 15 de la réglementation FCC. Son fonctionnement est soumis aux deux conditions suivantes :

(1) Cet appareil ne doit pas provoquer d'interférences nuisibles, et (2) cet appareil doit accepter toutes les interférences reçues, y compris celles susceptibles de provoquer un fonctionnement indésirable.

Tineco INTELLIGENT, INC.

1700 WESTLAKE AVENUE N., SUITE 200, SEATTLE, WA, 98109, USA

WWW.TINECO.COM

1-855-292-8864

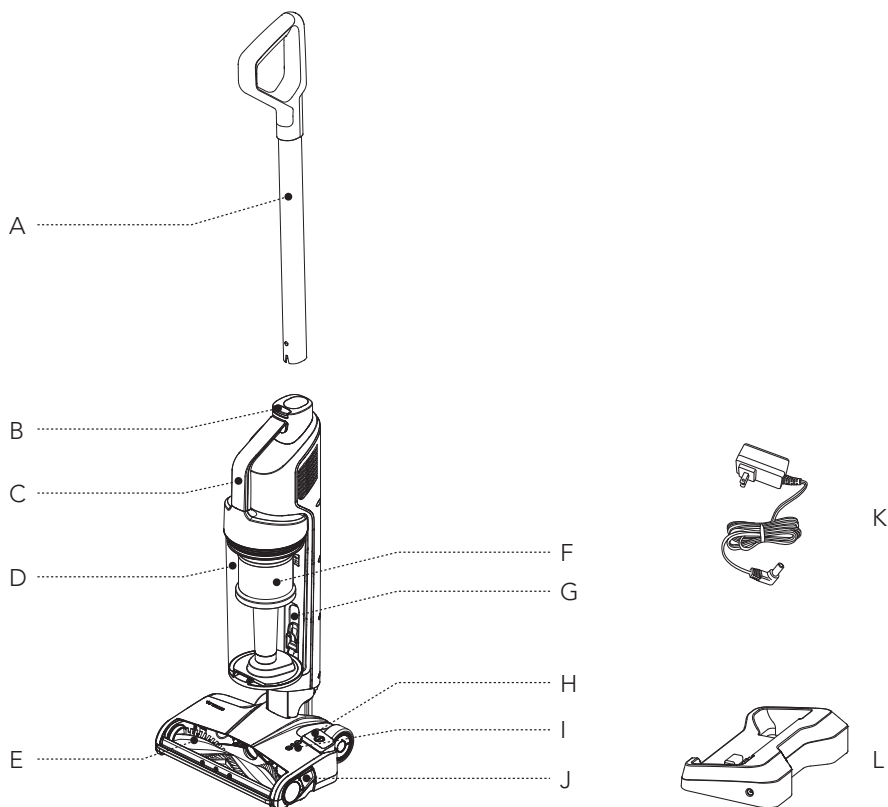
**MISE EN GARDE** : Tout changement ou toute modification non expressément approuvé par la partie responsable de la conformité peut annuler le droit de l'utilisateur à utiliser l'équipement.

Remarque : cet équipement a été testé et déclaré conforme aux limites définies pour un appareil numérique de classe B, conformément à l'article 15 de la réglementation FCC. Ces limites sont conçues pour fournir une protection raisonnable contre les interférences nuisibles dans une installation résidentielle.

Cet équipement génère, utilise et peut émettre de l'énergie par radiofréquence. S'il n'est pas installé et utilisé conformément aux instructions, il peut provoquer des interférences nuisibles aux communications radio. Toutefois, il n'est pas garanti que des interférences ne se produiront pas dans une installation particulière. Si cet équipement provoque des interférences nuisibles à la réception des signaux de radio ou de télévision, ce qui peut être déterminé en éteignant et en rallumant l'équipement, il est recommandé à l'utilisateur d'essayer de corriger les interférences en prenant une ou plusieurs des mesures suivantes :

- (1) Réorienter ou déplacer l'antenne de réception.
- (2) Augmenter la distance entre l'équipement et le récepteur.
- (3) Brancher l'appareil sur une prise située sur un circuit différent de celui auquel le récepteur est connecté.
- (4) Consulter le concessionnaire ou un technicien radio/TV expérimenté pour obtenir de l'aide.

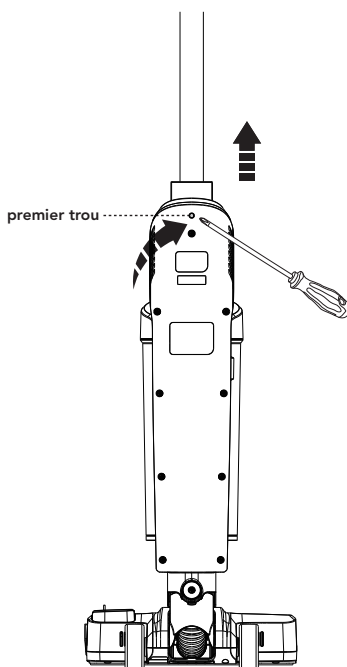
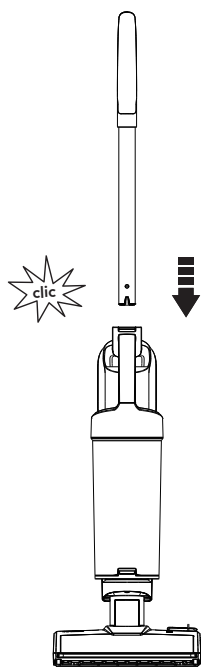
# Description



- A. Poignée
- B. Bouton de déverrouillage du bac à poussière
- C. Poignée du bac à poussières
- D. Bac à poussière
- E. Rouleau brosse
- F. Filtre à éponge et à mailles
- G. Bouton de vidage du bac à poussière
- H. Bouton d'alimentation / Commutateur de mode
- I. Indicateur lumineux
- J. Verrouillage du rouleau brosse
- K. Adaptateur
- L. Base de recharge

# Assemblage

Comment assembler/désassembler l'appareil



Pour fixer la poignée, insérez-la dans l'appareil jusqu'à ce que vous entendiez un clic.

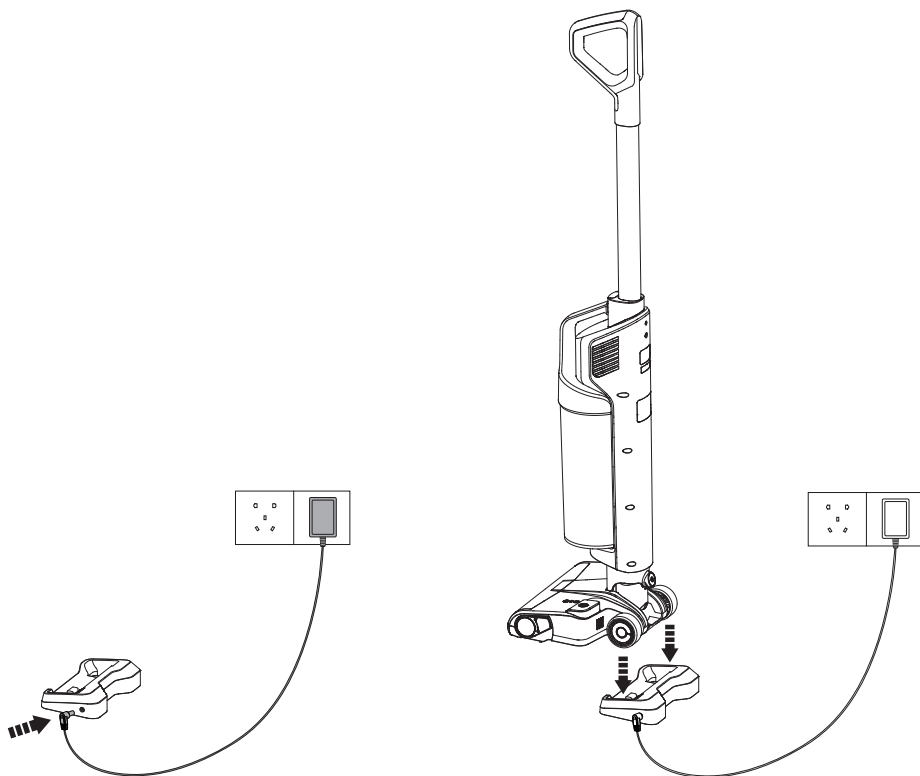
Si le produit doit être retourné, démontez la poignée. Appuyez sur le ressort pour libérer la poignée à l'aide d'un outil (par exemple un tournevis) et soulevez la poignée de l'appareil.



# Instructions de chargement

## Durée de la recharge

- Il faut environ 4 à 5 h pour recharger complètement la batterie.
- Les données estimées ont été obtenues par un laboratoire Tineco à des températures ambiantes comprises entre 4 °C et 40 °C.



Branchez le cordon de charge externe sur la base de recharge et sur la prise murale.

Placez l'aspirateur sur la base du chargeur.

## **Avertissement :**

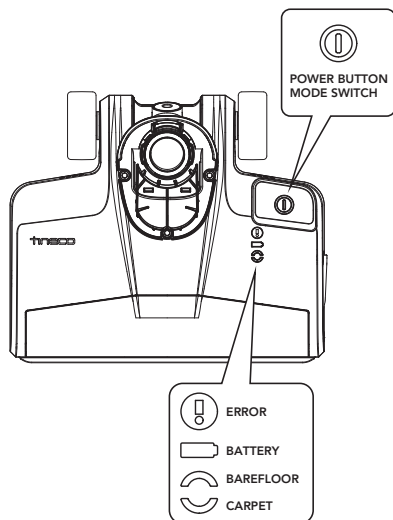
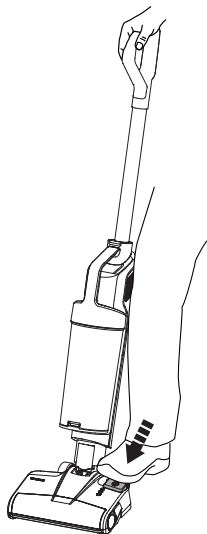
- Utilisez uniquement l'adaptateur fourni par Tineco pour recharger la batterie.
- Pendant de longues périodes d'inutilisation, rangez la batterie au lithium dans un endroit frais et sec. Assurez-vous de recharger entièrement la batterie tous les 3 mois.
- Entrez-la correctement dans un endroit sec. N'exposez pas l'appareil à la lumière du soleil ni au gel. Plage de température recommandée : 4 °C à 40 °C.

# Fonctionnement

## Préparation à l'utilisation

### Remarque :

- Avant la première utilisation, veuillez recharger l'aspirateur pendant 4 à 5 heures dans une zone où la température ambiante est comprise entre 4 °C et 40 °C.



Placez un pied sur le suceur de plancher et inclinez la poignée vers l'arrière pour commencer le nettoyage.

1. Appuyez une fois sur le bouton d'alimentation pour activer le réglage du sol nu, le rouleau brosse tournera lentement pour aspirer les déchets sur les sols nus.
2. Appuyez une deuxième fois sur le bouton d'alimentation pour activer le réglage du tapis, le rouleau brosse tournera rapidement dans ce mode pour obtenir un nettoyage en profondeur du tapis.
3. Appuyez une troisième fois sur le bouton d'alimentation pour éteindre l'aspirateur.

## Voyant



### ERREUR

Vérifiez les consignes dépannage, s'il clignote ou est allumé.



### BATTERIE

- Voyant bleu clignotant : pas d'alimentation.
- Voyant bleu clignotant au rythme d'une respiration : recharge en cours.
- Voyant bleu fixe pendant 3 minutes : recharge complète, puis le voyant s'éteint.



Mode SOL NU.

Mode TAPIS.

## Autonomie

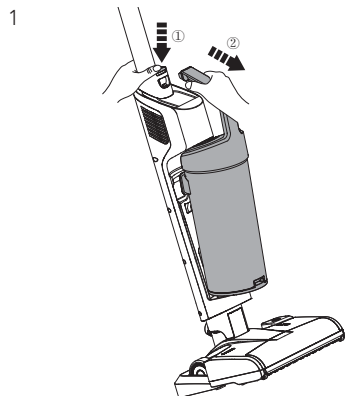
- En mode SOLNU, l'autonomie est d'environ 30 minutes. En mode TAPIS, l'autonomie est d'environ 10 minutes.
- Les estimations de l'autonomie ont été obtenues par un laboratoire Tineco.

# Entretien

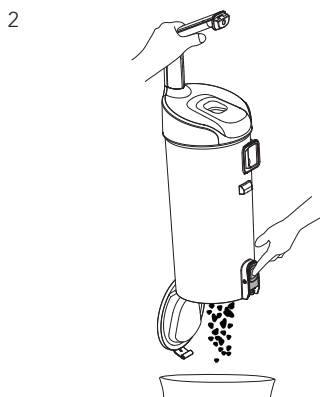
## Remarque :

- Nettoyez le bac à poussière et les filtres après chaque utilisation.
- Pour maintenir des performances élevées, lavez et séchez le filtre à mailles tous les mois et remplacez le filter à éponge tous les 3 mois.

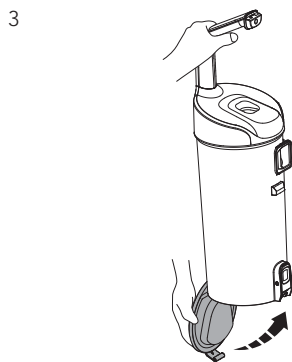
## Bac à poussière



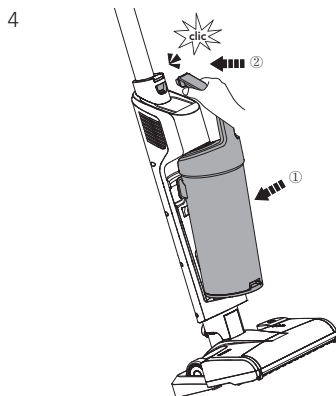
Appuyez sur le bouton de déverrouillage du bac à poussières et enlevez-le.



Appuyez sur le bouton de déverrouillage situé sur le côté du bac à poussières et videz le contenu.

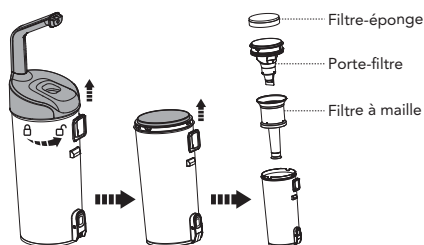


Fermez et remettez en place le clapet du bac à poussière.

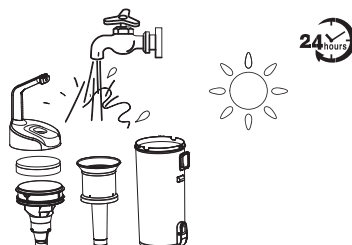


Remettez le bac à poussières en place en alignant d'abord le bas, puis en le verrouillant en place.

## Filtere à éponge et à mailles



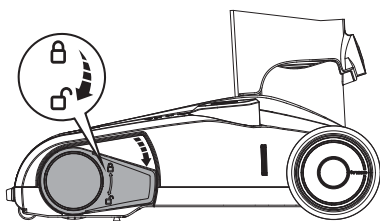
Tournez le couvercle du bac à poussières dans le sens antihoraire pour le retirer, retirez l'éponge et le filtre à mailles.



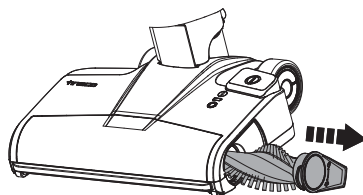
Essuyez la poussière sur l'éponge et le filtre à mailles, lavez-les à l'eau courante froide si nécessaire. Séchez complètement à l'air libre avant de remettre en place.

FR

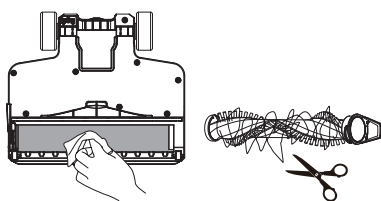
## Rouleau brosse



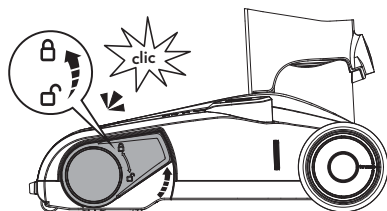
Poussez et tournez le verrou du rouleau-brosse dans le sens antihoraire pour le dégager.



Retirez le rouleau brosse du suceur grâce à la languette de traction.



Enlevez les débris enroulés autour du rouleau avec un outil de nettoyage.




Réinstallez le rouleau brosse dans le suceur et tournez-le dans le sens horaire pour le verrouiller.



# Spécifications

Produit	PWRHERO XL
Tension	21,6 V $\equiv$
Puissance d'alimentation	250 W
Capacité du bac à poussière	1,5 L
Durée de la recharge	4 à 5 heures
Entrée CA	100-240 V~

## Élimination des déchets

- La batterie contient des matériaux nuisibles à l'environnement. Elle doit donc être retirée de l'appareil avant l'élimination de celui-ci.
- Éteignez l'appareil avant d'enlever la batterie.
- Les batteries, les chargeurs, les accessoires et l'emballage doivent faire l'objet d'un tri dans l'optique d'un recyclage écologique. Ne les jetez pas au feu, à l'eau ou dans le sol. Les chargeurs et batteries ne doivent en aucun cas être jetés avec les ordures ménagères ! 
- En cas de contact du liquide de batterie avec la peau ou les vêtements, rincez immédiatement à l'eau afin d'éviter toute irritation, puis consultez un médecin.

# Guide de dépannage

Problème	Cause possible	Solution
L'appareil ne s'allume pas	Pas d'alimentation	Rechargez la batterie
	L'appareil est bloqué (par ex., le rouleau brosse, la bouche d'aspiration ou d'autres pièces)	Éliminez les obstructions
	Le corps principal est en position verticale	Tirez sur la poignée pour l'incliner et appuyez sur le bouton d'alimentation
Faible puissance d'aspiration	Le bac à poussières est plein	Nettoyer le bac à poussières
	L'appareil est bloqué (par ex., le rouleau brosse, la bouche d'aspiration ou d'autres pièces)	Éliminez les obstructions
Bruits de moteur anormaux	L'appareil est bloqué (par ex., le rouleau brosse, la bouche d'aspiration ou d'autres pièces)	Éliminez les obstructions
La batterie ne peut pas être rechargée	L'adaptateur n'est pas correctement branché	Branchez correctement l'adaptateur
	L'adaptateur n'est pas conçu pour cet appareil	Utilisez l'adaptateur d'origine
Voyant rouge clignotant 	L'appareil est bloqué (par ex., le rouleau brosse, la bouche d'aspiration ou d'autres pièces)	Éliminez les obstructions
Voyant rouge fixe 	Surtension ou surintensité	Débranchez et avant de recharger

## Remarque :

Si le guide de dépannage ci-dessus ne fournit pas de solution, veuillez consulter notre site Web [www.tineco.com](http://www.tineco.com) pour plus d'aide.

# Garantie

## GARANTIE LIMITÉE DE 2 ANS

- S'applique uniquement aux achats effectués auprès des détaillants autorisés de Tineco.
- Est soumise au respect des exigences décrites dans ce manuel d'instructions, et est soumise à d'autres conditions décrites ci-dessous.

## CE QUI EST COUVERT

- Votre appareil Tineco bénéficie d'une garantie de 2 ans contre les défauts d'origine du matériel et de fabrication, lorsqu'il est utilisé à des fins domestiques conformément au manuel d'utilisation de Tineco. Les accessoires motorisés et la batterie achetés séparément sont livrés avec une garantie de 1 an.
- Cette garantie fournit, sans frais supplémentaires, toute la main-d'œuvre et les pièces nécessaires pour assurer que votre appareil est en bon état de fonctionnement pendant la période de garantie.
- Cette garantie n'est valable que pour l'utilisation dans le pays où l'appareil a été vendu.

## CE QUI N'EST PAS COUVERT

Tineco ne sera pas responsable des coûts, dommages ou réparations résultant de ce qui suit :

- Appareils achetés auprès d'un revendeur non autorisé.
- Manipulation ou fonctionnement négligent, mauvaise utilisation, abus et/ou manque d'entretien ou utilisation non conforme au manuel d'utilisation Tineco.
- Utilisation de l'appareil autre que pour des usages domestiques normaux, c'est-à-dire, à des fins commerciales ou de location.
- Utilisation de pièces non conformes au manuel d'utilisation Tineco.
- Utilisation de pièces et d'accessoires autres que ceux produits ou recommandés par Tineco.
- Facteurs externes non liés à la qualité et à l'utilisation du produit, tels que la météo, les modifications, les accidents, les pannes électriques, les surtensions ou les catastrophes naturelles.
- Réparations ou modifications effectuées par des parties ou des agents non autorisés.
- Absence de nettoyage des obstructions et autres matières dangereuses de l'appareil.
- Usure normale, y compris l'usure normale des pièces, telles que la poubelle, la ceinture, le filtre, le filtre HEPA, la barre de brosse, le cordon d'alimentation (ou lorsqu'un dommage externe ou un abus est diagnostiqué), les tapis ou planchers endommagés en raison d'une utilisation non conforme aux instructions du fabricant.
- Réduction du temps de décharge de la batterie en raison du vieillissement ou de l'usure de la batterie.

## LIMITATIONS DE GARANTIE

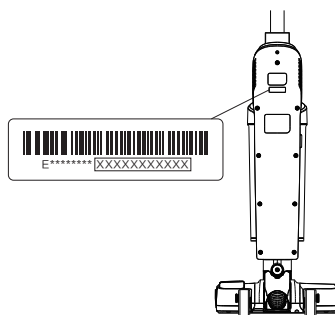
- Toute garantie implicite relative à votre appareil, y compris, mais sans s'y limiter, la garantie de qualité marchande ou la garantie d'adéquation à un usage particulier, est limitée à la durée de cette garantie.
- La couverture de la garantie s'applique uniquement au propriétaire d'origine et à la batterie d'origine et n'est pas transférable.
- Cette garantie limitée vous donne des droits légaux spécifiques. Vous pouvez également avoir d'autres droits qui varient selon les régions.
- Les garanties du fabricant peuvent ne pas s'appliquer dans tous les cas, en fonction de facteurs tels que l'utilisation du produit, l'endroit où le produit a été acheté ou la personne à qui vous avez acheté le produit.

Veillez lire attentivement la garantie et contactez le fabricant si vous avez des questions.

## SERVICE DE GARANTIE

**Enregistrement :** Nous recommandons vivement d'enregistrer votre appareil sur le site officiel de Tineco ([www.tineco.com](http://www.tineco.com)). L'enregistrement vous permettra de bénéficier d'avantages exclusifs. Pour vous enregistrer, veuillez saisir les 11 derniers chiffres du numéro de série (figurant au dos de l'appareil).

Le fait de ne pas enregistrer votre appareil ne diminuera pas vos droits de garantie.



**Comment faire une réclamation :** Veuillez conserver votre justificatif d'achat. Pour faire une réclamation dans le cadre de notre garantie limitée, vous devez fournir votre numéro de série et le reçu d'achat original avec la date d'achat et le numéro de commande.

Tous les travaux seront effectués par Tineco ou un agent agréé.

Toute pièce défectueuse remplacée deviendra la propriété de Tineco.

Le service sous cette garantie ne prolongera pas la période de garantie.

Contactez notre service après-vente au  
**1-855-292-8864** ou visitez le site Web de  
Tineco à l'adresse **[www.tineco.com](http://www.tineco.com)**  
pour profiter de l'expertise du  
service après-vente.



**tineco**  
Live Easy.  
Enjoy Life.



tinecoglobal




Contact us - We'll get back to you within 1 business day.

Conéctese con nosotros. Nos pondremos en contacto con usted dentro de 1 día laboral.

Contactez-nous. Nous vous répondrons dans 1 jour ouvrable.

 [www.tineco.com](http://www.tineco.com)

 1-855-292-8864

 Mon. - Fri. 9am - 6pm (CST)